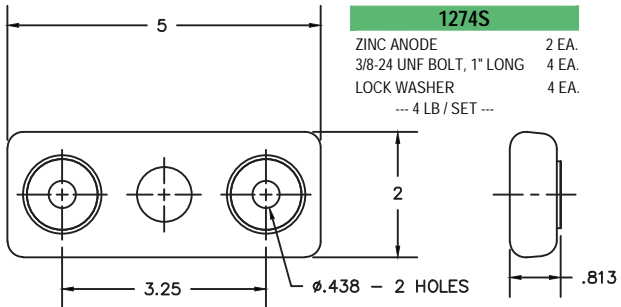
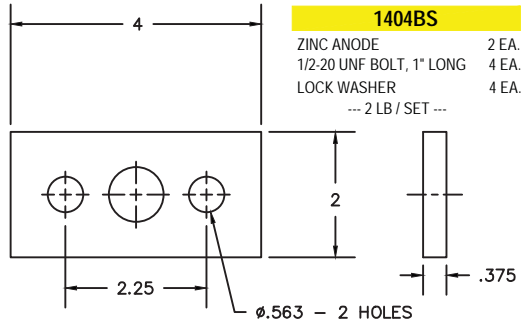


GRIDCOOLER® KEEL COOLER ANODE SETS

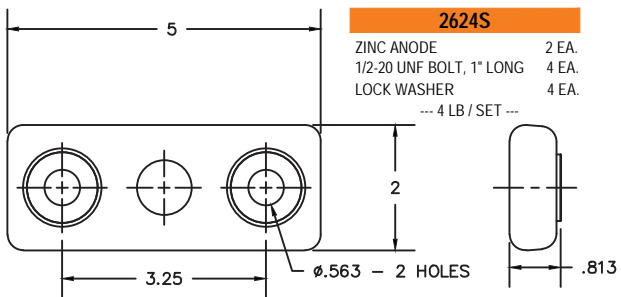
2874S	2624S	2624BS
BN18 - BN24 BN18U - BN24U CN14 - CN20 CN14U - CN20U D12 - D24 D14U - D24U D12W - D24W D12W-E1 D12-Z - D24-Z D12U-Z - D24U-Z D12W-Z - D24W-Z D12U-ZE1 - D24U-ZE1 D12W-ZE1 - D24W-ZE1 D28U - D32U (2 SETS) D28U-Z - D32U-Z (2 SETS) D28W - D32W (2 SETS) D28W-Z - D32W-Z (2 SETS)	BN8 - BN14 BN8U - BN14U BN12W BN8-Z - BN14-Z BN8U-Z - BN12U-Z BN12W-Z CN6 - CN12 CN6U - CN10U CN6-Z - CN10-Z CN8U-Z D8 D8U D8-Z D8U-Z	BN10-ZE1 - BN12-ZE1 BN8U-ZE1 - BN12U-ZE1 CN8-ZE1 - CN10-ZE1 CN8U-ZE1
1404S	1274S	1404BS
B4U-E1 B6 B6U	B8 - B16 B8U - B16U B8W B16W C6 - C16 C6U - C16U C16W	BN4U-E1 BN6 BN6U BN6-Z
3076S		3076BS
B4-E1		BN4-E1
3583S	1874S	1874BS
DD14-ZE1S1 - DD18-ZE1S1 DD16U-ZE1S1 - DD24U-ZE1S1 DD16W-ZE1S1 - DD24W-ZE1S1 DD28U-ZE1S1 - DD32U-ZE1S1 (2 SETS) DD28W-ZE1S1 - DD32W-ZE1S1 (2 SETS)	BN16 BN16U BN16U-Z BN16W-Z CN10U-Z - CN12U-Z CN12U CN12W CN12-Z CN12W-Z D10 D10U - D12U D10-Z D10U-Z D12U-E1 D12-ZE1	BN16U-ZE1 BN16W-ZE1 CN10U-ZE1 - CN12U-ZE1 CN16W-ZE1



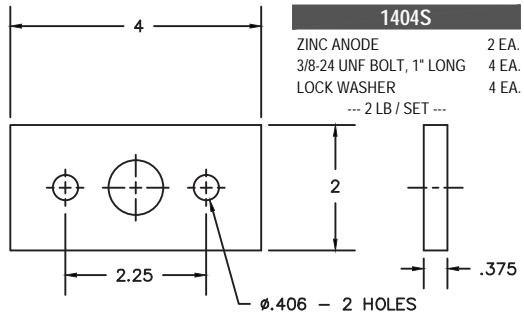
1274S
 ZINC ANODE 2 EA.
 3/8-24 UNF BOLT, 1" LONG 4 EA.
 LOCK WASHER 4 EA.
 ... 4 LB / SET ...



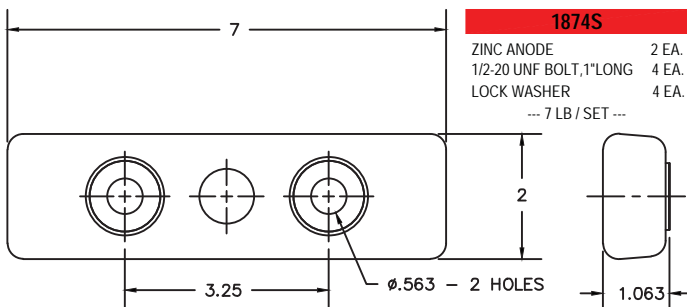
1404BS
 ZINC ANODE 2 EA.
 1/2-20 UNF BOLT, 1" LONG 4 EA.
 LOCK WASHER 4 EA.
 ... 2 LB / SET ...



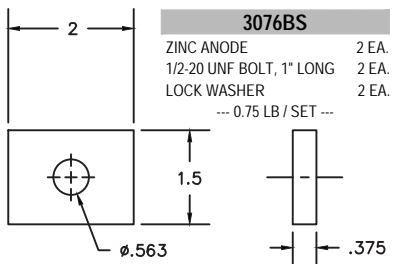
2624S
 ZINC ANODE 2 EA.
 1/2-20 UNF BOLT, 1" LONG 4 EA.
 LOCK WASHER 4 EA.
 ... 4 LB / SET ...



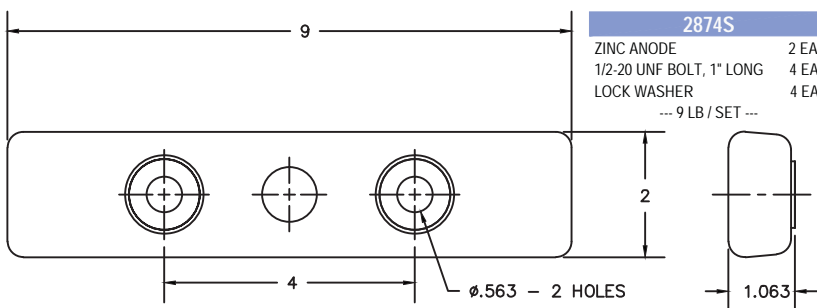
1404S
 ZINC ANODE 2 EA.
 3/8-24 UNF BOLT, 1" LONG 4 EA.
 LOCK WASHER 4 EA.
 ... 2 LB / SET ...



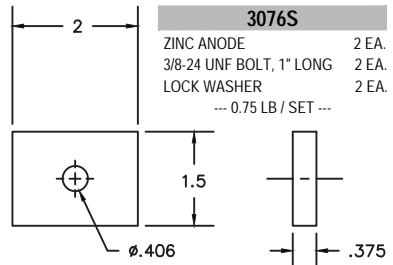
1874S
 ZINC ANODE 2 EA.
 1/2-20 UNF BOLT, 1" LONG 4 EA.
 LOCK WASHER 4 EA.
 ... 7 LB / SET ...



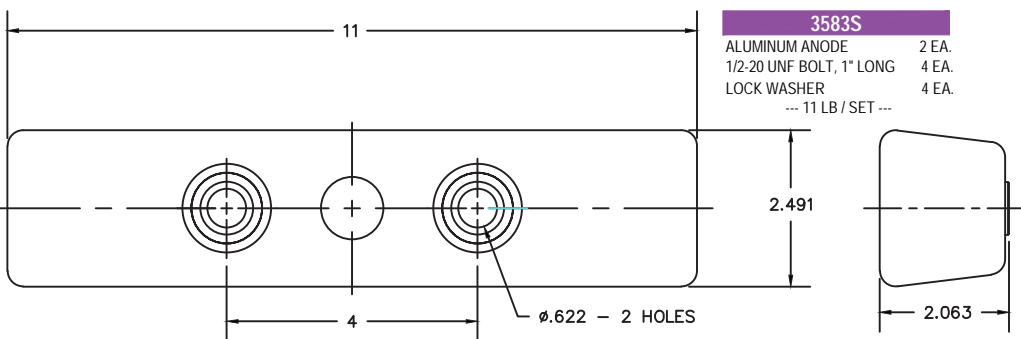
3076BS
 ZINC ANODE 2 EA.
 1/2-20 UNF BOLT, 1" LONG 2 EA.
 LOCK WASHER 2 EA.
 ... 0.75 LB / SET ...



2874S
 ZINC ANODE 2 EA.
 1/2-20 UNF BOLT, 1" LONG 4 EA.
 LOCK WASHER 4 EA.
 ... 9 LB / SET ...



3076S
 ZINC ANODE 2 EA.
 3/8-24 UNF BOLT, 1" LONG 2 EA.
 LOCK WASHER 2 EA.
 ... 0.75 LB / SET ...



3583S
 ALUMINUM ANODE 2 EA.
 1/2-20 UNF BOLT, 1" LONG 4 EA.
 LOCK WASHER 4 EA.
 ... 11 LB / SET ...

TOLERANCES (EXCEPT AS NOTED)	REVISIONS		
	NO.	DATE	BY
DECIMAL	1		
±	2		
FRACTIONAL	3		
±	4		
ANGULAR	5		
±			

R.W. FERNSTRUM & COMPANY
 MENDOTINEE, MICHIGAN

ANODE COLOR CODE

DRAWN BY	D.PEURA	SCALE	1/2	MATERIAL
CHK'D		DATE	4/30/13	DRAWING NO.
TRACED		APP'D		3215