

Hercules

HATCHES

Nelson Road Industrial Estate,
Dartmouth, Devon, TQ6 9LA.
Tel: +44 (0) 1803 833 736
Fax: +44 (0) 1803 834 846
Email: Info@Hercules.org.uk

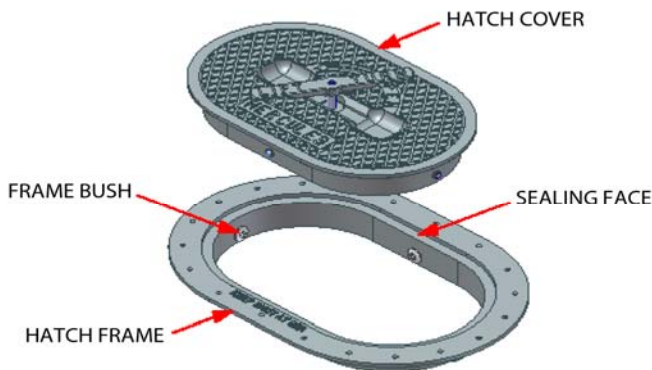
Cast Deck Hatch Care and Maintenance.

Hercules Cast Deck Hatches are manufactured to the highest standard from carefully selected materials. Hatch covers and frames are cast from high tensile, corrosion resistant marine grade Aluminium.

All moving parts are engineered from 316 Stainless Steel. The unique Hercules locking mechanism utilises Stainless Steel shooting bolts which engage in replaceable Ertalyte bushes. Hercules Hatches have been designed to withstand the toughest of marine environments, however, to ensure that your hatch performs at its best, for the longest possible service life.....

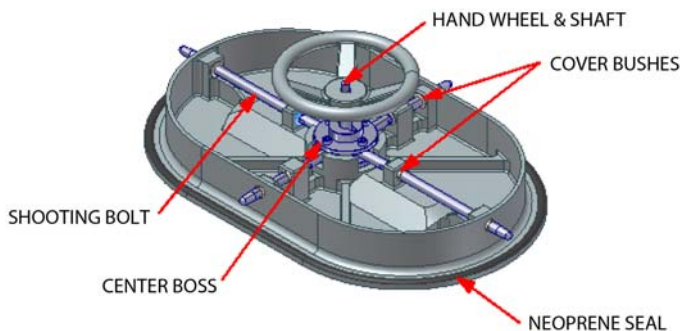
IT IS ESSENTIAL TO CONDUCT REGULAR MAINTENANCE.

Hatch Frame



- Remove the Hatch Cover from the Frame.
- Prepare hot soapy water & a stiff hand brush.
- Thoroughly clean the frame, removing any dirt and chalky deposits.
- Thoroughly clean the sealing face, ensure not to damage the surface.
- Clean the four frame bushes. If necessary use boiling water to remove any compacted deposits.
- **Do not use any corrosive chemicals.**
- **Do not use any power tools.**

Hatch Cover



- Repeat the cleaning process outlined above.
- Carefully clean the neoprene seal, use a rag only and ensure no damage or distortion occurs.
- Clean and degrease and dry all moving components: Shooting Bolts, Center Boss, Handle Shaft & linkages.
- Using the grease supplied with the Hercules Hatch, apply to the shaft and all pivot points.
- **Do not apply any grease to the bushes.**
- **Do not use any corrosive chemicals.**
- **Do not use any power tools.**

Regular maintenance as outlined above will drastically improve the longevity and lasting performance of your Hercules Hatch.

After time and use it may become necessary to replace the Neoprene Seal and the Ertalyte Bushes. This is a relatively simple procedure and can be completed by the user.

Seal replacement kits and hatch reconditioning kits are available through mail order from our distributor Kort Propulsion:
Tel: +44 (0) 1322 346346 or Email: info@kortpropulsion.com.

If your hatch has been neglected for a long period of time, or has sustained physical damage, it is usually possible to overhaul and replace any damaged components at our factory, depending on the damage done.