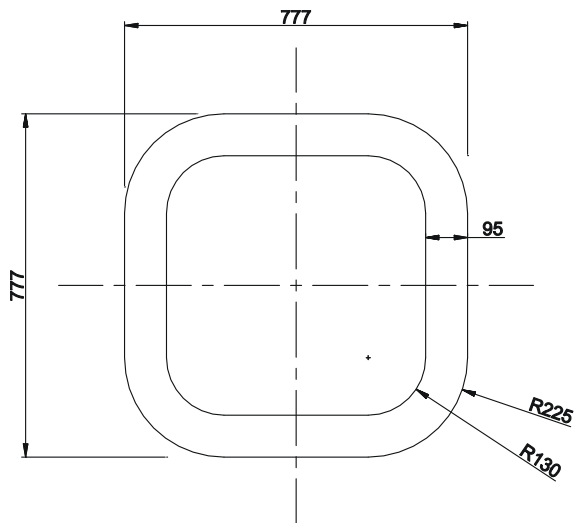


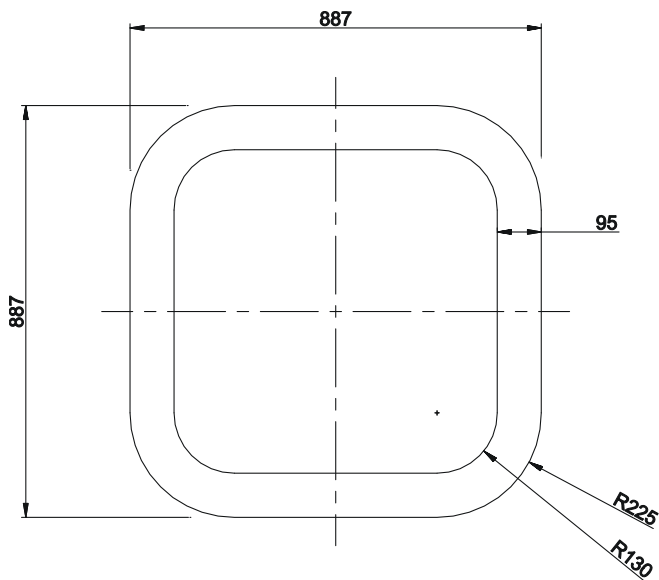
ADAPTER RING 2

Hercules



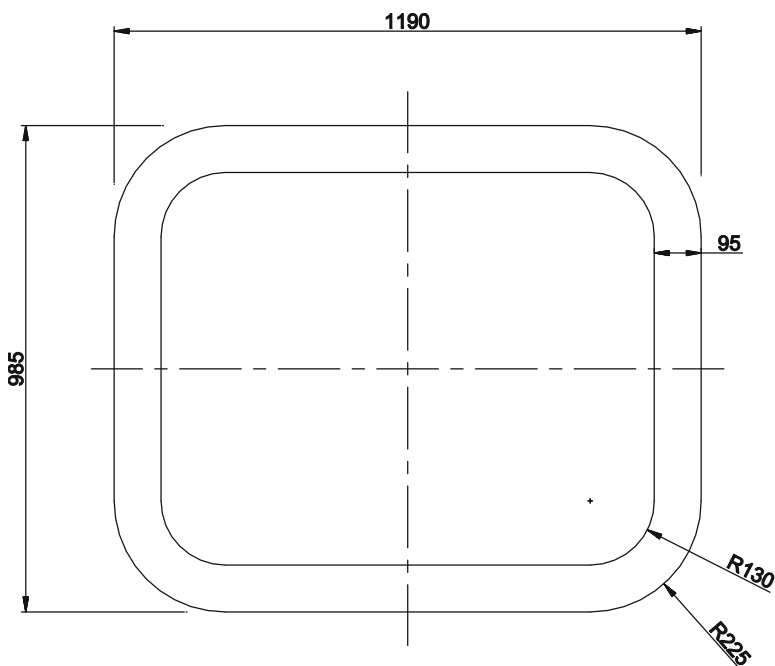
TYPE 2020 ADAPTER RING

- 6mm THICK GRADE 43A MILD STEEL
- APPROXIMATE WEIGHT OF 11Kg



TYPE 2424 ADAPTER RING

- 6mm THICK GRADE 43A MILD STEEL
- APPROXIMATE WEIGHT OF 13Kg



TYPE 3628 ADAPTER RING

- 6mm THICK GRADE 43A MILD STEEL
- APPROXIMATE WEIGHT OF 18.5Kg