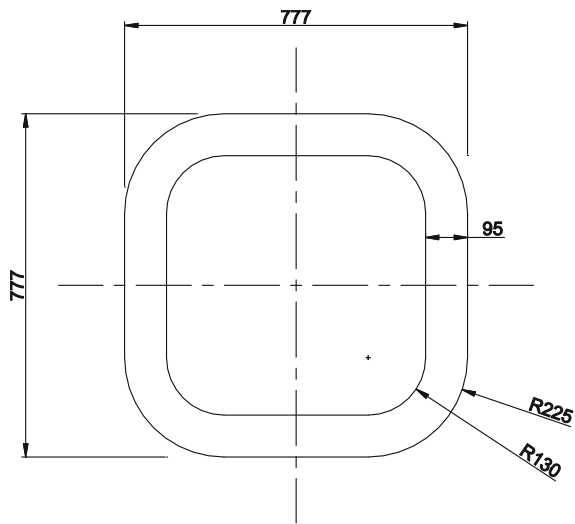
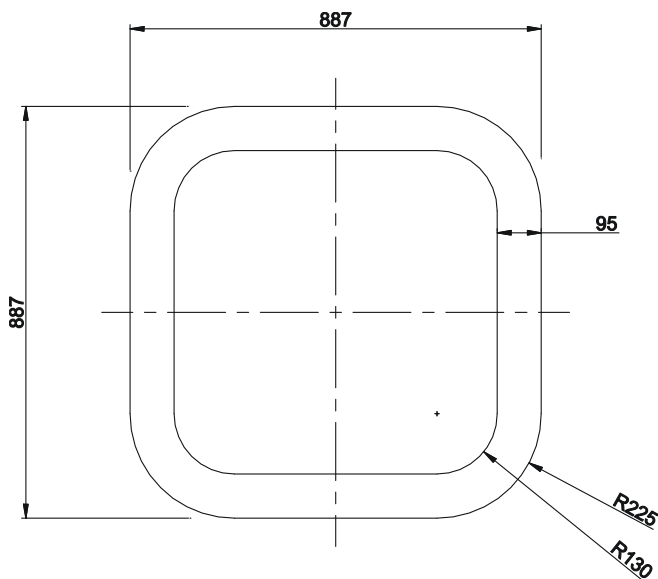


ADAPTER RING 2

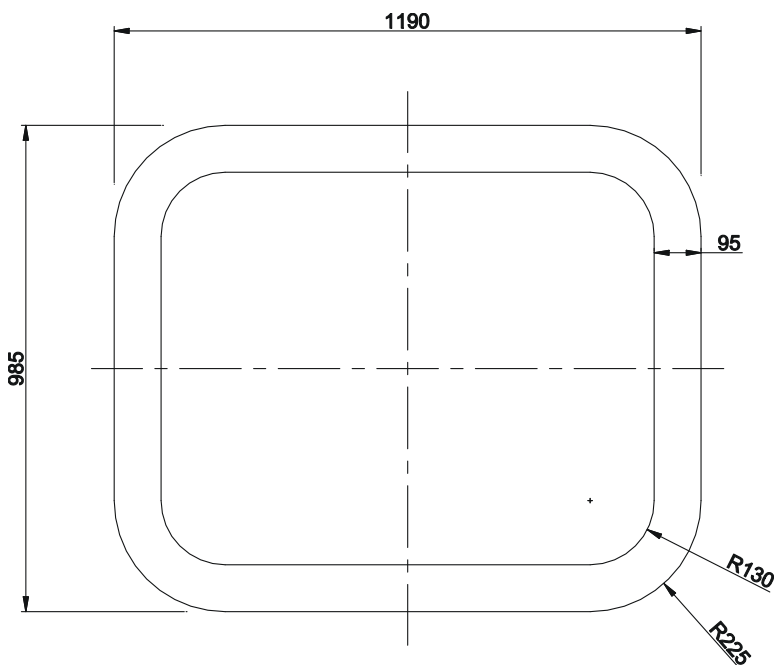
Hercules



- TYPE 2020 ADAPTER RING
- 6mm THICK GRADE 43A MILD STEEL
 - APPROXIMATE WEIGHT OF 11Kg



- TYPE 2424 ADAPTER RING
- 6mm THICK GRADE 43A MILD STEEL
 - APPROXIMATE WEIGHT OF 13Kg



- TYPE 3628 ADAPTER RING
- 6mm THICK GRADE 43A MILD STEEL
 - APPROXIMATE WEIGHT OF 18.5Kg

This document was created with Win2PDF available at <http://www.win2pdf.com>.
The unregistered version of Win2PDF is for evaluation or non-commercial use only.