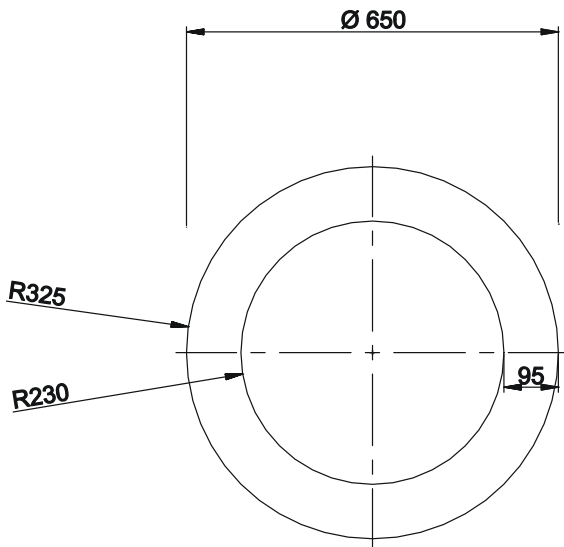


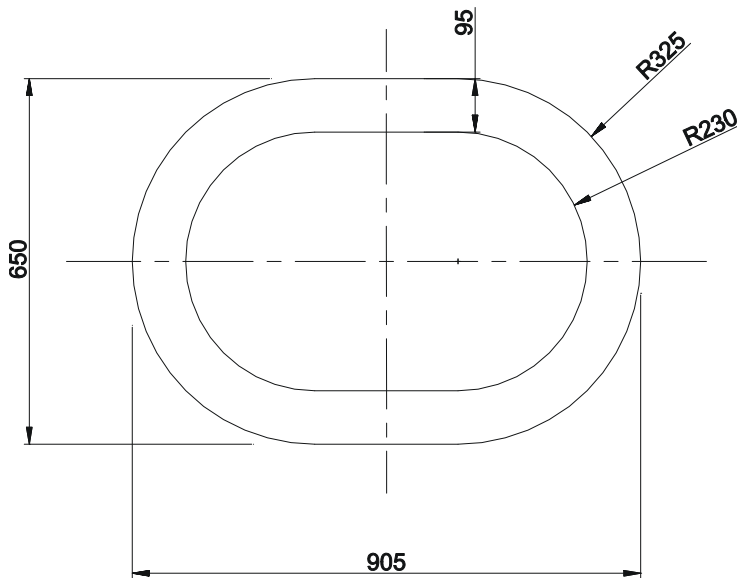
ADAPTER RING 1

Hercules



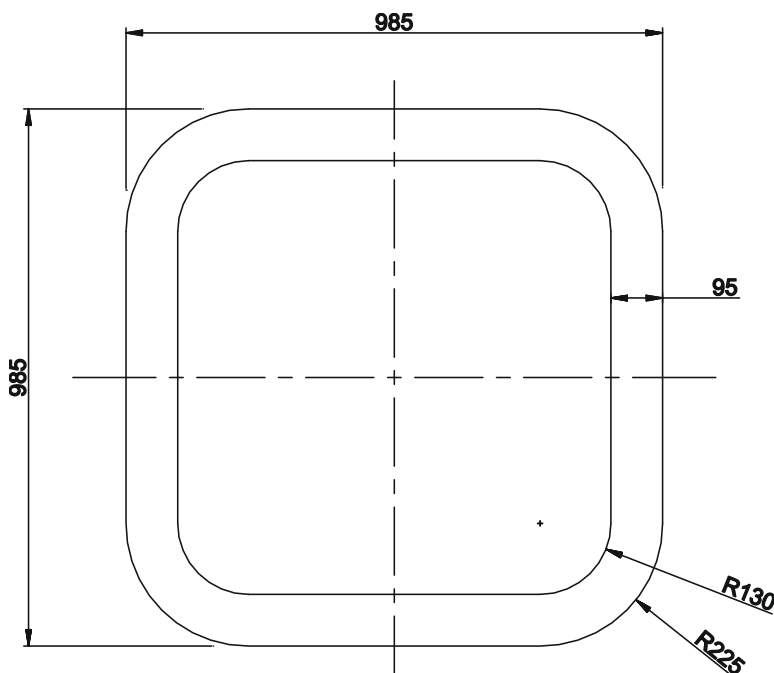
TYPE 15 ADAPTER RING

- 6mm THICK GRADE 43A MILD STEEL
- APPROXIMATE WEIGHT OF 8Kg



TYPE 2515 ADAPTER RING

- 6mm THICK GRADE 43A MILD STEEL
- APPROXIMATE WEIGHT OF 12.5Kg



TYPE 2828 ADAPTER RING

- 6mm THICK GRADE 43A MILD STEEL
- APPROXIMATE WEIGHT OF 15Kg